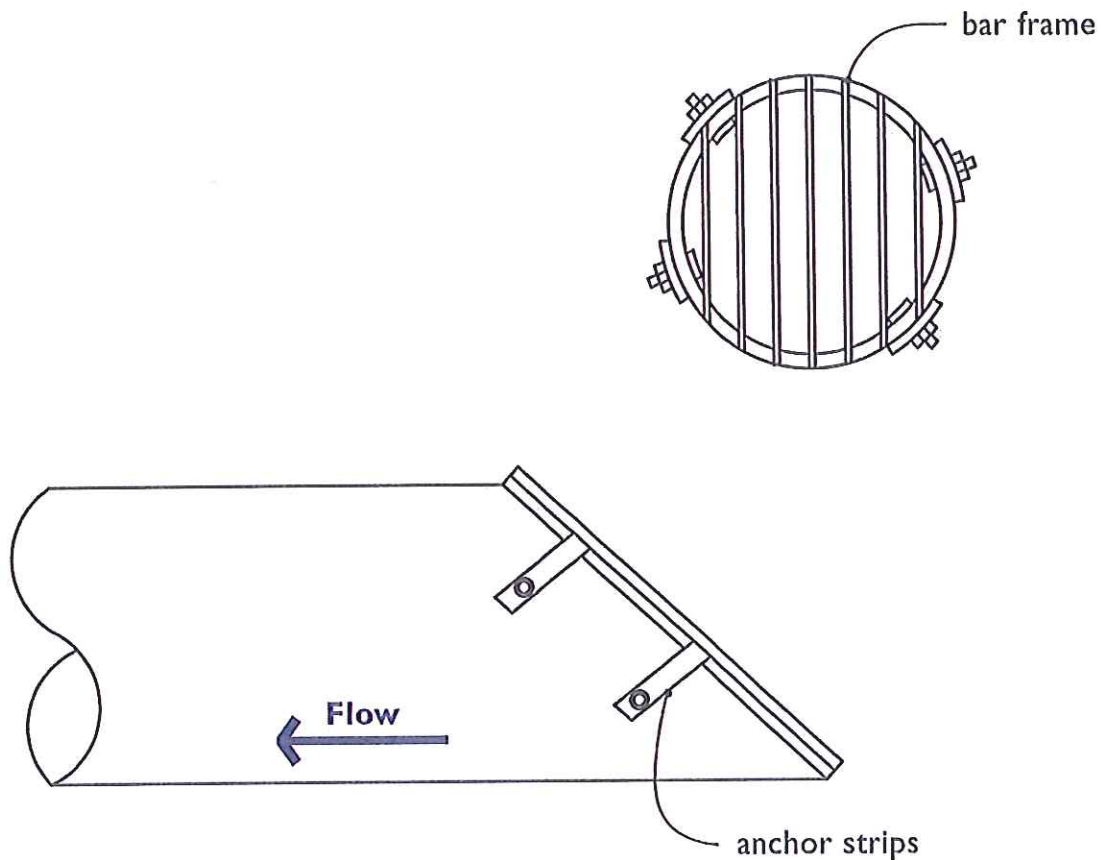


3.6 Debris Barriers (e.g. Trash Racks)

Debris barriers consist of bar grates over the open end of a culvert or conveyance pipe. The intent of a debris barrier is to prevent large materials from entering a closed pipe system. Debris barriers are typically located on the outlet pipe from a detention pond to the control structure. If a debris barrier is not located on the outlet pipe, one should be provided to prevent plugging of the control structure and possible flooding.

Access barriers are similar to debris barriers but are included on all pipe ends that exceed 18 inches in diameter. Their function is to prevent debris and unauthorized access into the storm conveyance pipe. Removing debris and maintenance to the debris barrier when there is flow through the conveyance pipe should be performed by qualified personnel only.



Debris Barriers (e.g. Trash Racks) Checklist

Frequency	Drainage System Feature	Date				Problem	Conditions to Check For	Conditions That Should Exist
		✓	✓	✓	✓			
M,S	General					Trash and Debris	Trash or debris that is plugging more than 20% of the openings in the barrier.	Barrier cleared to design flow capacity.
A	General					Damaged/Missing Bars.	Bars are bent out of shape more than 3 inches.	Bars in place with no bends more than 3/4 inch.
A	General					Damaged/Missing Bars.	Bars are missing or entire barrier missing.	Bars in place according to design.
A	General					Damaged/Missing Bars.	Bars are loose and rust is causing 50% deterioration to any part of barrier.	Barrier replaced or repaired to design standards.
A	General					Inlet/Outlet Pipe	Debris barrier missing or not attached to pipe.	Barrier firmly attached to pipe.

If you are unsure whether a problem exists, please contact a Professional Engineer.

Comments:

Key:

(M) Monthly from November through April.

(A) Once in late summer (preferable September)

(S) After any major storm (use 1-inch in 24 hours as a guideline).