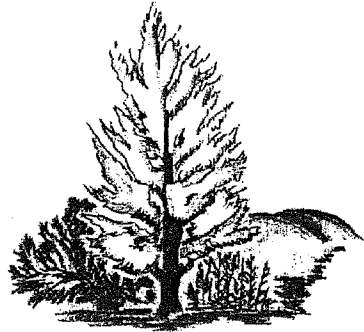


# Landscape Buffer Boundary



**Vegetation to remain  
undisturbed**

**City of Puyallup  
Development Services**

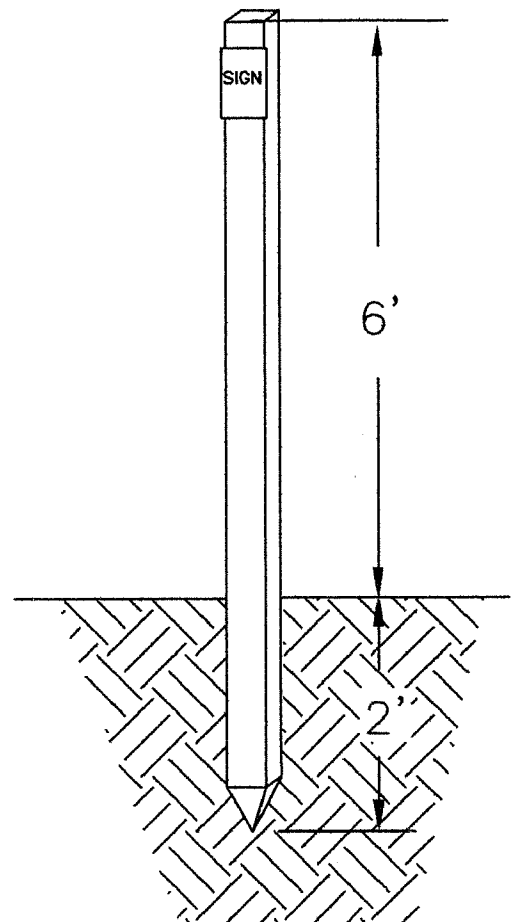
P-4387



J. L. DARLING CORP.  
(253) 922-5000



Max Sign Posting Distance  
1 sign every 50'



4"x4" TREATED POST  
WITH BUFFER SIGN



**CITY OF  
PUYALLUP  
DEVELOPMENT  
SERVICES  
DEPARTMENT**

## SIGN POSTING DETAIL

DRAWN BY JENNIFER RECCO	PLOTTING SCALE NTS/ 1=1	DATE APPROVED 9-02	REVISED	SIGN POSTING DETAIL
FILE NAME F:\DRAWINGS\PLANNING DESIGN W\104005\PA_SIGN_POSTING_STANDARD.DWG	CHECKED BY N. EKLUND	REVISED BY		