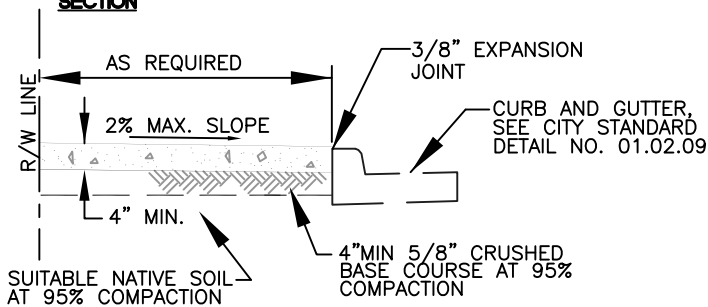


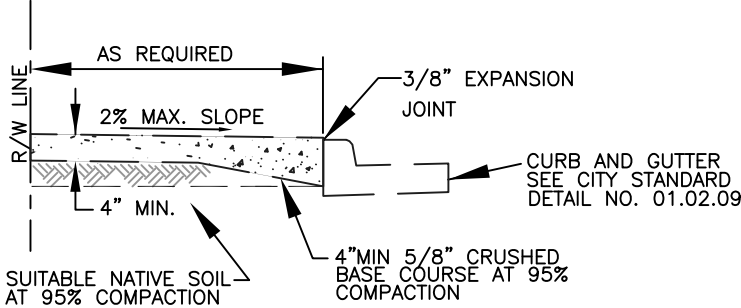
NOTES:

1. CONTRACTION JOINTS SHALL BE 3/8" x 1 1/2" ASPHALT SATURATED FELT PLACED AT 15' O.C.
2. THRU JOINTS SHALL BE 3/8" x 4" ASPHALT SATURATED FELT PLACED AT DRIVEWAYS, ALLEY RETURNS AND WHEELCHAIR RAMPS AND RADII.
3. V-GROOVEMARKS SHALL BE 1/8" DEEP AND 1/4" WIDE PLACED AT 5' O.C. FOR 5' SIDEWALKS AND 7.5' O.C. FOR 8' SIDEWALKS.
4. ALL JOINTS SHALL BE CLEAN AND EDGED TO A 1/4" RADIUS. JOINTS SHALL BE FLUSH WITH THE FINISHED SURFACE.
5. ALL UTILITY POLES AND STREET SIGN POSTS IN SIDEWALK AREA NOT REQUIRED TO BE RELOCATED SHALL HAVE A SQUARE SECTION OF CONCRETE SURROUNDED BY 3/8" EXPANSION JOINT MATERIAL AROUND THE POLE. THE JOINT SHALL BE NO CLOSER THAN 6" TO ANY SIDE OF THE POLE.
6. FORMS SHALL BE EITHER WOOD OR STEEL AND SHALL MEET ALL REQUIREMENTS OF THESE SPECIFICATIONS.
7. CONCRETE SHALL BE CLASS 3000 COMMERCIAL CONCRETE, 5.5 SACK MINIMUM, AASHTO GRADING 467 COARSE AGGREGATE, NO FLY ASH.
8. SIDEWALK MINIMUM UNOBSTRUCTED CLEAR WIDTH SHALL BE 4', EXCLUSIVE OF THE WIDTH OF THE CURB.
9. GRATINGS, ACCESS COVERS, JUNCTION BOXES, CABLE VAULTS, PULL BOXES AND OTHER APPURTENANCES WITHIN THE SIDEWALK (RIGHT-OF-WAY) MUST HAVE SLIP RESISTANT SURFACE AND MATCH THE GRADE OF THE SIDEWALK.
10. CURB RAMPS SHALL BE CONSTRUCTED AT INTERSECTIONS USING A DESIGN PREPARED BY A LICENSED PROFESSIONAL ENGINEER. WHEN A RAMP DESIGN FAILS TO MEET ALL APPLICABLE DESIGN STANDARDS, THE ENGINEER SHALL DOCUMENT WHY THE PROPOSED RAMP ACHIEVES DESIGN STANDARDS TO THE MAXIMUM EXTENT FEASIBLE.

SECTION



SECTION: USE IN INTERSECTIONS AND DRIVEWAY RADII



MINIMUM SIDEWALK WIDTHS

5'(RS ZONES)	SINGLE FAMILY RESIDENTIAL AREAS (DETACHED DWELLINGS)
8'(RS ZONES)	COMMERCIAL USES, WHEN REQUIRED BY DEVELOPMENT SERVICES MANAGER
8'(RM ZONES)	MEDIUM AND HIGH DENSITY MULTI-FAMILY RESIDENTIAL AREAS
8'(ML ZONES)	INDUSTRIAL AREAS
8'(CG, CBD ZONES)	COMMERCIAL AREAS
8'(PF ZONES)	PUBLIC FACILITIES AREAS
8'(F ZONES)	FAIR AREAS
* MATCH GREATEST WIDTH FOR ANY ADJACENT ZONE	



CITY OF PUYALLUP

DEVELOPMENT ENGINEERING and PUBLIC WORKS DEPARTMENTS

SIDEWALK WITHOUT PLANTING STRIP

DRAWN BY JIM ERWIN-SVOBODA	CHECKED BY LINDA LIAN	APPROVED BY COLLEEN HARRIS	REVISED BY LINDA LIAN	CITY STANDARD
FILE NAME F:\DWG\COMMON\STDS\CITY\2009\01_STR\01.02\01.02.01	DATE APPROVED 07/01/2009	DATE REVISED 03/21/11	SCALE 1:8	01.02.01