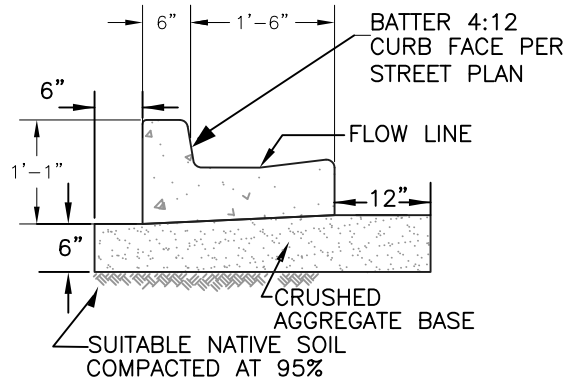


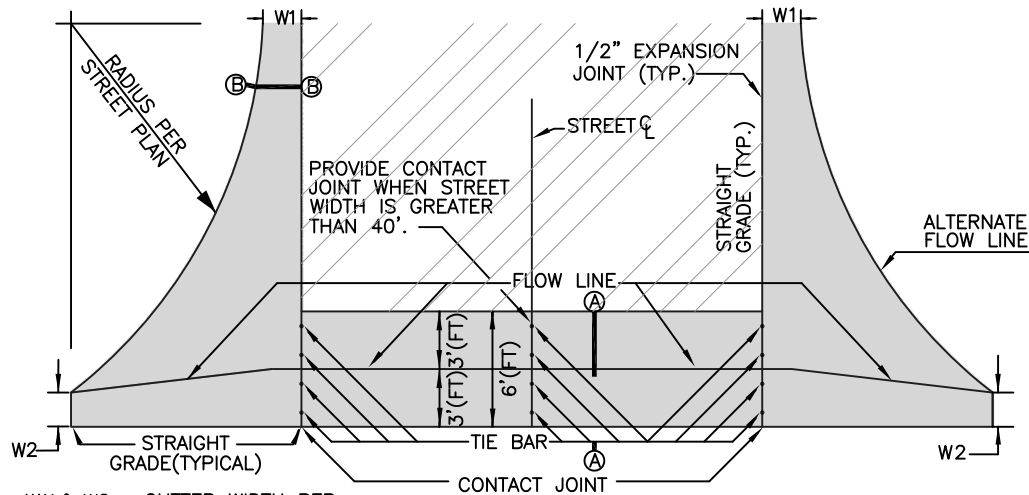
SECTION A - A



SECTION B - B

SCALE: 1:2

ONLY BUILT UPON APPROVAL BY DEVELOPMENT REVIEW ENGINEER



*W1 & W2 = GUTTER WIDTH PER STREET PLAN

NOTES:

1. WEAKEN PLANE JOINT TOOLED 1 1/2" DEEP SHALL BE SUBSTITUTED FOR CONTACT JOINT WHERE MONOLITHIC CONSTRUCTION IS APPROVED BY THE CITY ENGINEER.
2. CROSS GUTTERS SHALL BE CONSTRUCTED WITH 3000 CONCRETE CONCRETE EIGHT INCHES (8") THICK.
3. TIE BARS SHALL BE 3/4" O X 18" LONG SMOOTH STL. BARS @ 18" CENTERS, GREASE ONE END.

AREA OF SPANDREL (CROSS-HATCHED) $\Delta = 90$					
W1	W2	R = 27	R = 32	R = 36	
18"	18"	239.69 SQ FT	318.00 SQ FT		
18"	24"	253.94 SQ FT	334.75 SQ FT		
24"	18"	253.94 SQ FT	334.75 SQ FT		
24"	24"	268.44 SQ FT	351.75 SQ FT	426.12 SQ FT	

SCALE: 1:10



CITY OF PUYALLUP

DEVELOPMENT ENGINEERING and PUBLIC WORKS DEPARTMENTS

MINIMUM GRADE STREET CROSS GUTTER

DRAWN BY
JIM ERWIN-SVOBODA

CHECKED BY
LINDA LIAN

APPROVED BY
COLLEEN HARRIS

REVISED BY
XXXX

CITY STANDARD

FILE NAME
F:\DWG\COMMON\STDS\CITY\2009\01_STR\01.02.11

DATE APPROVED
07/01/2009

DATE REVISED
XX/XX/XX

SCALE
VARIES

01.02.11