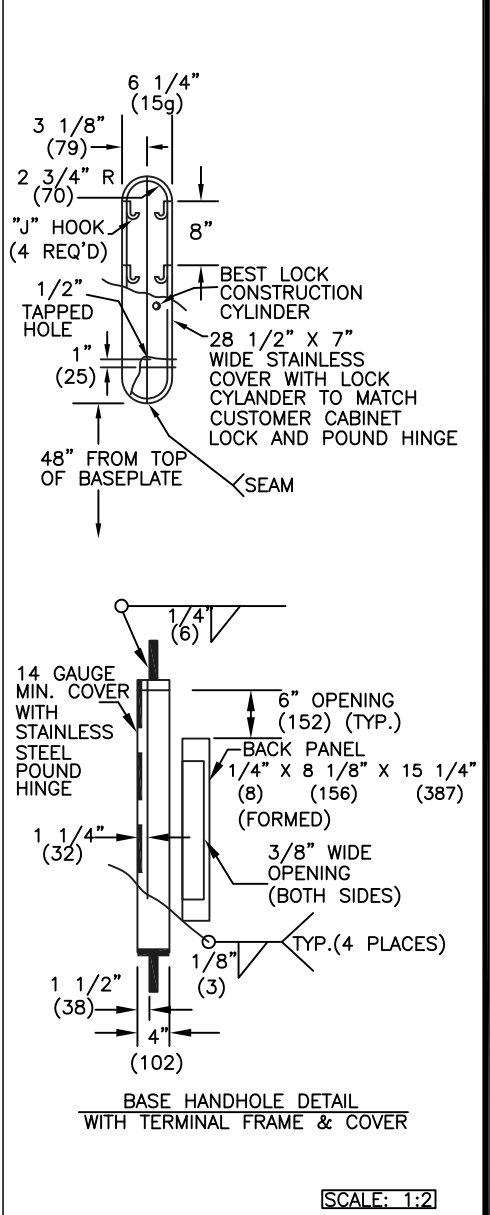
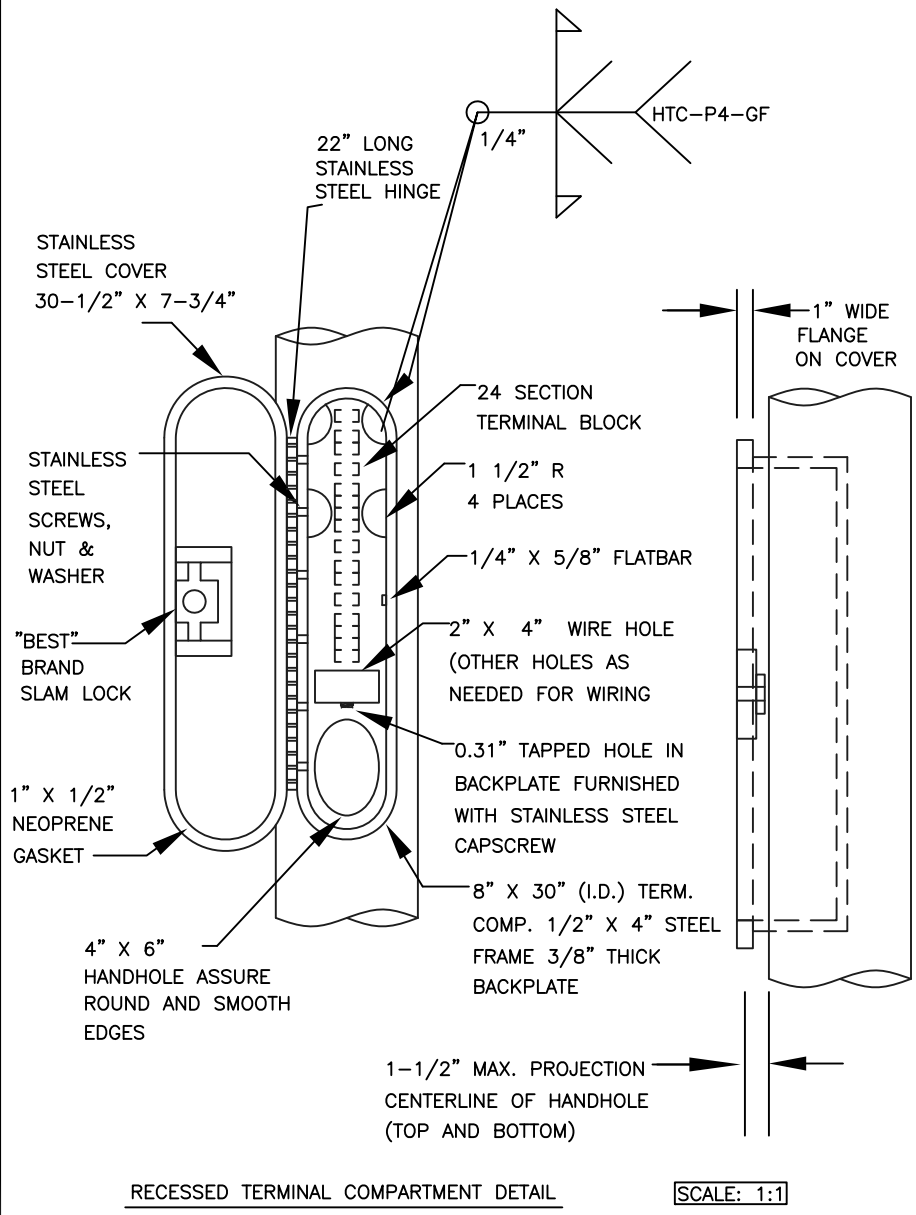


SCALE: 1:1



CITY OF PUYALLUP

DEVELOPMENT ENGINEERING and
PUBLIC WORKS DEPARTMENTS

TERMINAL COMPARTMENT AND MISC. POLE DETAILS

DRAWN BY JIM ERWIN-SVOBODA	CHECKED BY LINDA LIAN	APPROVED BY COLLEEN HARRIS	REVISED BY XXXXX	CITY STANDARD
FILE NAME F:\DWG\COMMON\STDS\CITY\2009\01_STR\01.06\01.06.02	DATE APPROVED 07/01/2009	DATE REVISED XX/XX/XX	SCALE VARIES	